



**SUBMITTAL DRAWING
AMI - 75 C, CR, CO,
STATIC FIRE DAMPERS**

STANDARD CONSTRUCTION

MAXIMUM SIZE

Vertical Single section - 60" x 53" - and 52" Round
Horizontal Single section 34" x 53" and 52" Round

MINIMUM SIZE

Round: 4"
Vertical: 4" x 3"
Horizontal: 4" x 3"

FINISH
Mill

Fusible Link.
165 deg. F Standard

**Horizontal & Vertical
U.L. Classified
1-1/2 Hour Rating**

FRAME

22 ga. Rollformed Steel frame

MULTIPLE SECTIONS ASSEMBLY

120" x 113" - Vertical
102" x 53" - Horizontal

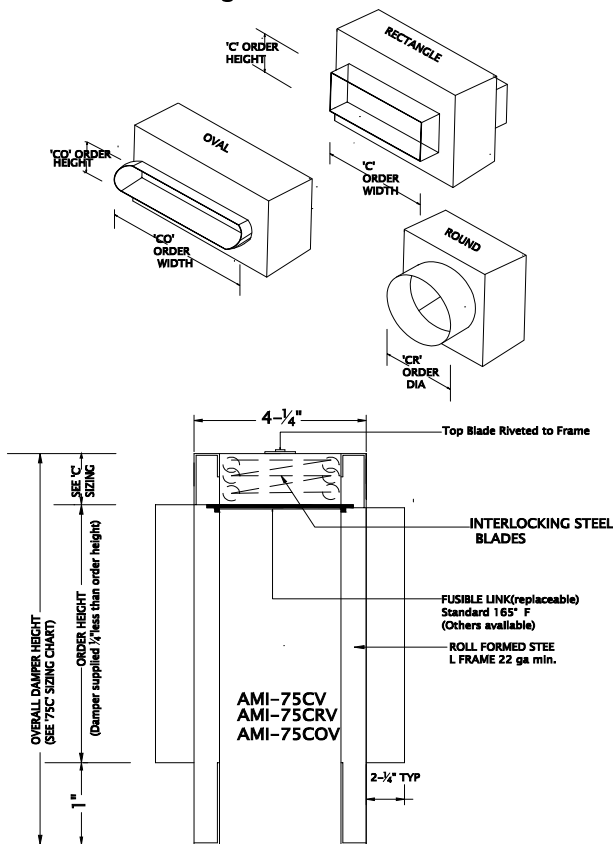
BLADES

22 ga. Interlocking Steel Blades
'Out of the Air Stream'

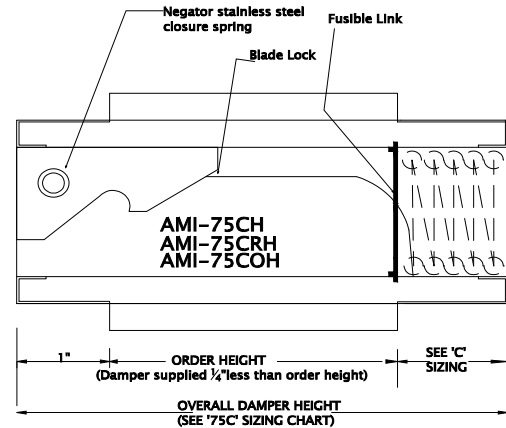
OPTIONS:

- 'C' Rectangular
- 'CR' Round
- 'CO' Oval
- 165 deg. F. Fusible Link
- Vertical Mount
- Horizontal Mount
- 304 Stainless Steel Construction
- 212 deg. F. Fusible Link

TYPE
C
CR
CO



(V) VERTICAL MOUNT



(H) HORIZONTAL MOUNT

HORIZONTAL MOUNTING MODEL INCLUDES STAINLESS STEEL NEGATOR SPRINGS AND BLADE LOCKS



UNDERWRITERS LABORATORIES (UL555)
CLASSIFIED FIRE DAMPERS
FIRE RESISTANCE RATED 1.5 HOURS.
FOR USE IN UL CLASSIFIED BUILDING
MATERIALS RATED 2 HOURS OR LESS.

Project:
Location:
Architect
Engineer:

Contractor:
Address:
P.O. Number:
Date:

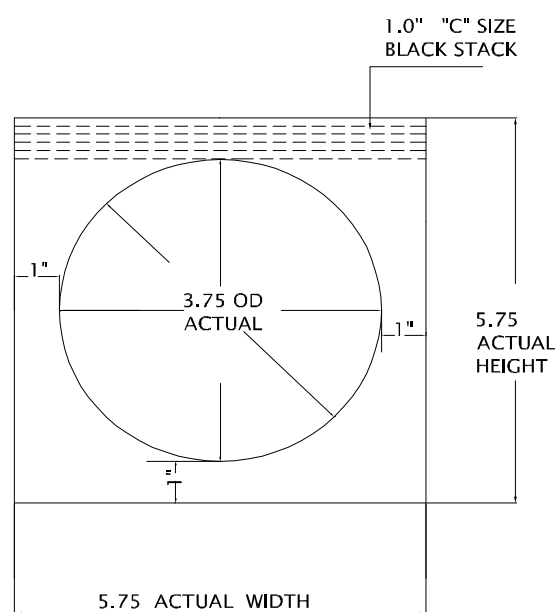


FIRE DAMPERS AND DOORS ROUND SIZING CHART

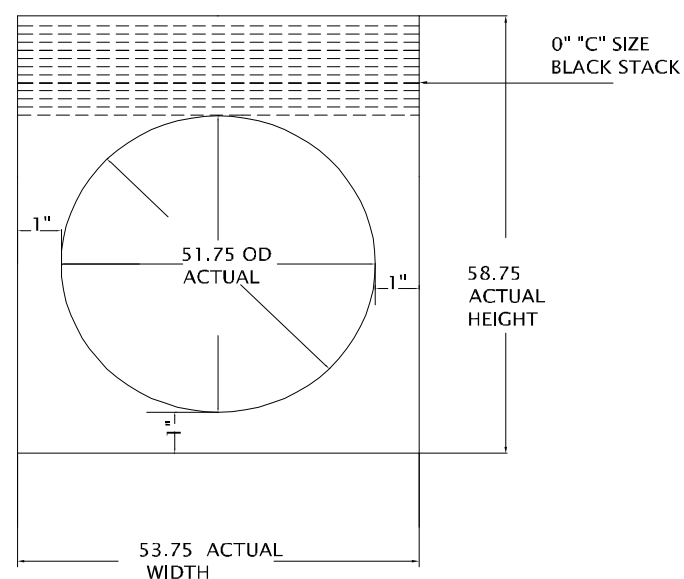
ORDER DIAMETER	DAMPER FRAME WIDTH X HEIGHT
4'	6X6
5"	7X7
6"	8X8
7"	9X9
8"	10X11
9"	11X12
10"	12X13
11"	13X14
12"	14X15
13"	15X16
14"	16X17
15"	17X18
16"	18X19
17"	19X21
18"	20X22
19"	21X23
20'	22X24
21"	23X25
22"	24X26
23"	25X27
24"	26X28
25"	27X29
26"	28X30
27"	29X32
28"	30X33

ORDER DIAMETER	DAMPER FRAME WIDTH X HEIGHT
29"	31X34
30"	32X35
31"	33X36
32"	34X37
33"	35X38
34"	36X39
35"	37X40
36"	38X42
37"	39X43
38"	40X44
39"	41X45
40"	42X46
41"	43X47
42"	44X48
43"	45X49
44"	46X50
45"	47X52
46"	48X53
47"	49X54
48"	50X55
49"	51X58
50"	52X57
51"	53X58
52"	54X59

NOTE: All sizing in inches.



4" ORDER DIAMETER



52" ORDER DIAMETER

MAINTENANCE

Dampers shall be maintained in intervals as stated in NFPA-90A, Appendix B, unless local codes require more frequent inspections. Check the fuse link, check the stainless closure springs where furnished, cycle damper and check for free operation and complete closure, clean with mild detergent or solvent, secure damper open with fusible link.

Project:
Location:
Architect:
Engineer:

Contractor:
Address:
P.O. Number:
Date: