



**SUBMITTAL DRAWING
AMI -75 B
STATIC FIRE DAMPER**

STANDARD CONSTRUCTION

MAXIMUM SIZE

Single section -60" x 53" - Vertical
and 34"x53" Horizontal

MINIMUM SIZE

4" x 3" - Vertical
4" x 3" - Horizontal

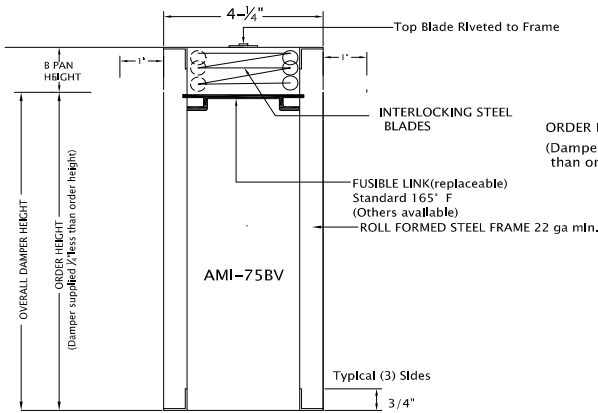
FINISH

Mill

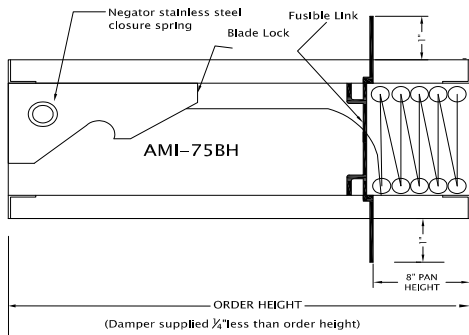
Fusible Link.

165 deg. F Standard

Horizontal & Vertical
U.L Classified
1-1/2 Hour Rating



(V) VERTICAL MOUNT



(H) HORIZONTAL MOUNT

HORIZONTAL MOUNTING MODEL INCLUDES STAINLESS STEEL NEGATOR SPRINGS AND BLADE LOCKS

**TYPE
B**

FRAME

22 ga. Rollformed Steel frame

MULTIPLE SECTIONS ASSEMBLY

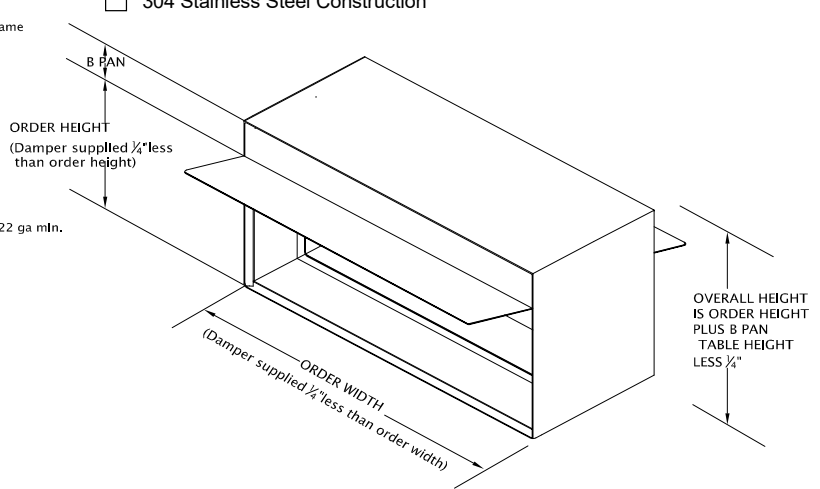
120" x 113" - Vertical
102" x 53" - Horizontal

BLADES

22 ga. Interlocking Steel Blades
'Out of Air Stream'

OPTIONS:

- Vertical Mount
- Horizontal Mount
- 165 deg. F. Fusible Link
- 212 deg. F. Fusible Link
- 304 Stainless Steel Construction



UNDERWRITERS LABORATORIES (UL555)
CLASSIFIED FIRE DAMPERS
FIRE RESISTANCE RATED 1.5 HOURS.
FOR USE IN UL CLASSIFIED BUILDING
MATERIALS RATED 2 HOURS OR LESS.

Project:
Location:
Architect
Engineer:

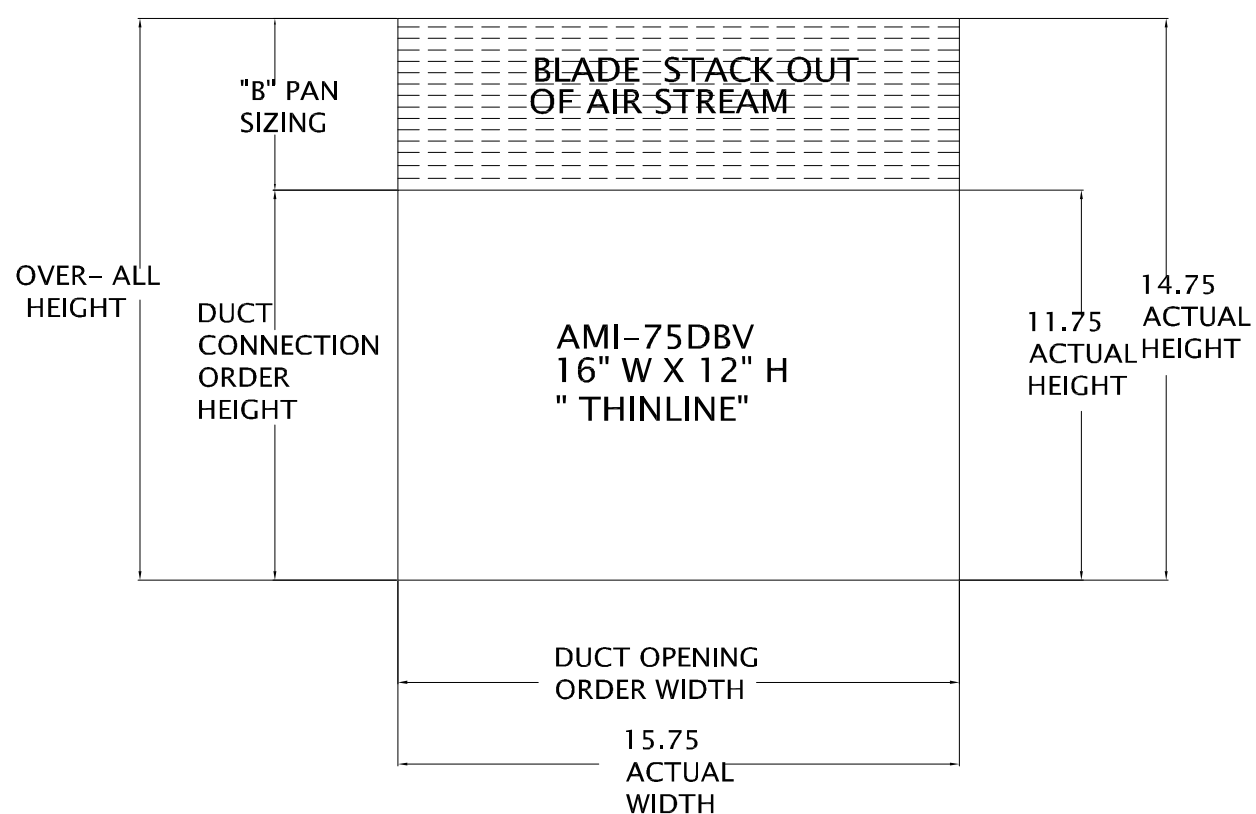
Contractor:
Address:
P.O. Number:
Date:



FIRE DAMPERS AND DOORS
"B" PAN SIZING CHART
 (FOR THINLINE FIRE DAMPER)

| DUCT OPENING ORDER HEIGHT | OVER- ALL HEIGHT |
|---------------------------|------------------|
| 4 | 6 |
| 5 | 7 |
| 6 | 8 |
| 7 | 9 |
| 8 | 11 |
| 9 | 12 |
| 10 | 13 |
| 11 | 14 |
| 12 | 15 |
| 13 | 17 |
| 14 | 18 |
| 15 | 19 |
| 16 | 20 |
| 17 | 21 |
| 18 | 23 |
| 19 | 24 |
| 20 | 25 |
| 21 | 26 |
| 22 | 27 |

| DUCT OPENING ORDER HEIGHT | OVER - ALL HEIGHT |
|---------------------------|-------------------|
| 23 | 28 |
| 24 | 29 |
| 25 | 31 |
| 26 | 32 |
| 27 | 33 |
| 28 | 34 |
| 29 | 36 |
| 30 | 37 |
| 31 | 38 |
| 32 | 39 |
| 33 | 40 |
| 34 | 41 |
| 35 | 43 |
| 36 | 44 |
| 37 | 45 |
| 38 | 46 |
| 39 | 47 |
| 40 | 48 |
| 41 | 49 |



NOTE: All sizing in inches.

Project:
 Location:
 Architect
 Engineer:

Contractor:
 Address:
 P.O. Number:
 Date: