

ROUND STEEL DAMPER

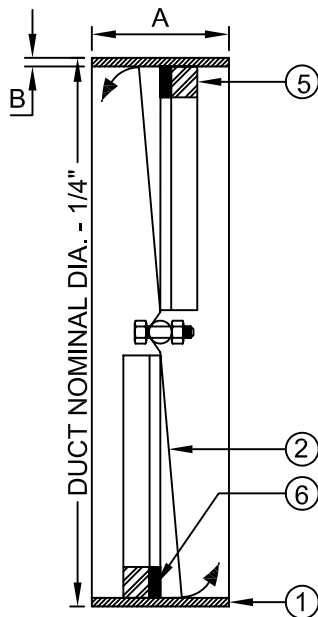
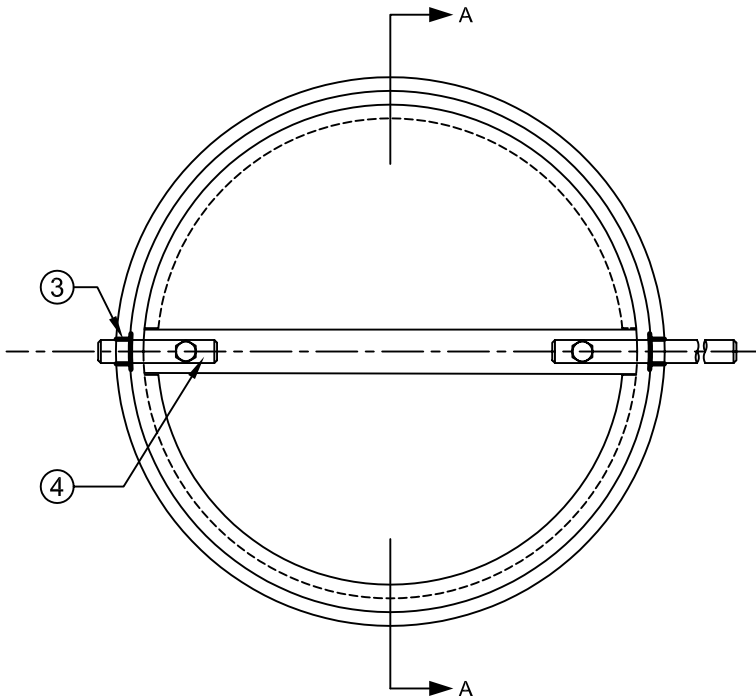
V90SBR

SPECIFICATIONS

FRAME	FLAT BAR STEEL 2" X 1/8" (51mm X 3mm) (H.R.S)
FRAME	GALVANIZED STEEL 16 GA
BEARINGS	BRONZE BUSHINGS
DRIVE PIN	STEEL 1/2" (13mm) DIA., BOLT 1/4" (6mm) NYLON INSERT
STOPPER	STEEL 5/16" X 5/16" (8mm X 8mm) (H.R.S)
WEATHER STRIPS	NEOPRENE 200 °F WITH COATING

OPTIONS

BEARINGS	NYLON BUSHINGS	<input type="checkbox"/>
	STAINLESS STEEL BUSHINGS	<input type="checkbox"/>
INSULATION	ARMAFLEX 1/2"	<input type="checkbox"/>
FRAME	4" WIDTH	<input type="checkbox"/>
FLANGE	1" FLANGES	<input type="checkbox"/>



VIEW A-A

- ① - FRAME
- ② - BLADE
- ③ - BEARINGS
- ④ - DRIVE PIN
- ⑤ - STOPPER
- ⑥ - WEATHER STRIPS

TYPE	A	B
V90SBR	2" (50,8mm)	1/8" (3,2mm)

trolec
INC

4700, Rue Thibault
 Ville de St-Hubert, Québec J3Y 0A8
 Tel.: (450) 656-2610 Toll free : 1-888-656-2610
 Fax : (514) 525-1912 Toll free : 1-888-305-1912
 E-mail : admin@trolec.com Web Site : trolec.com

SUBMITTED BY :	DATE :
APPROVED BY :	No :

