

ROUND STEEL DAMPER

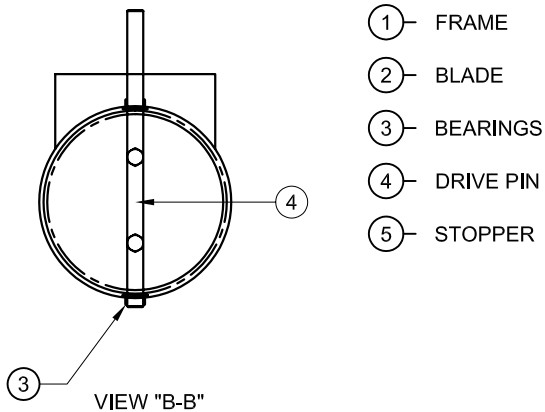
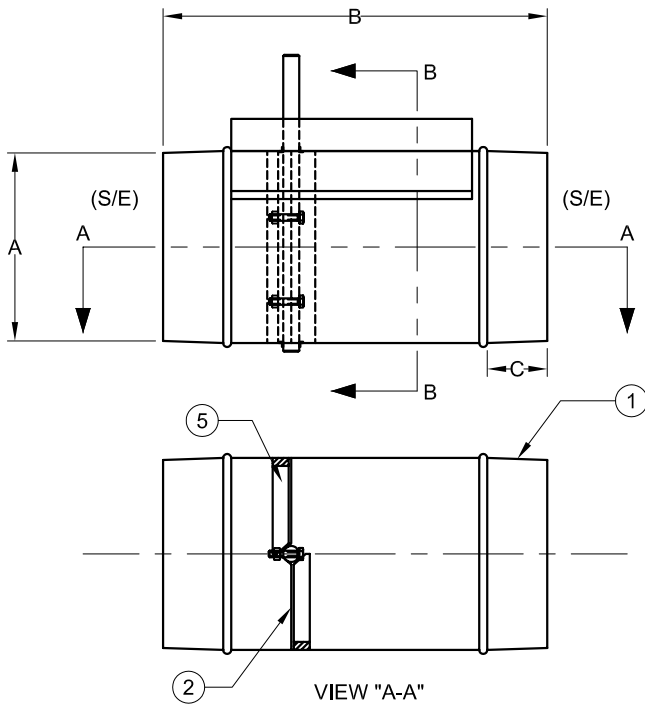
V18R

SPECIFICATIONS

FRAME	20 GA GALVANIZED STEEL
BLADE	16 GA GALVANIZED STEEL
BEARINGS	BRONZE BUSHINGS
DRIVE PIN	1/2", BOLT 1/4"
STOPPERS	AUTO-ADHESIF SPONGE (3M) 3/8 X 3/8

OPTIONS

FRAME	16 GA GALVANIZED STEEL	<input type="checkbox"/>
	18 GA GALVANIZED STEEL	<input type="checkbox"/>
ACTUATORS		<input type="checkbox"/>
MANUAL OPERATOR		<input type="checkbox"/>
PAINTING	ACRYTHANE SICO	<input type="checkbox"/>



	A - DIAMETER (S/E)										B - LENGTH	C
	4"	5"	6"	7"	8"	9"	10"	12"	14"	16"	18"	2"
V18R												

trolec^{INC}

4700, Rue Thibault
 Ville de St-Hubert, Québec J3Y 0A8
 Tel.: (450) 656-2610 Toll free : 1-888-656-2610
 Fax : (514) 525-1912 Toll free : 1-888-305-1912
 E-mail : admin@trolec.com Web Site : trolec.com

SUBMITTED BY :	DATE :
APPROVED BY :	No :