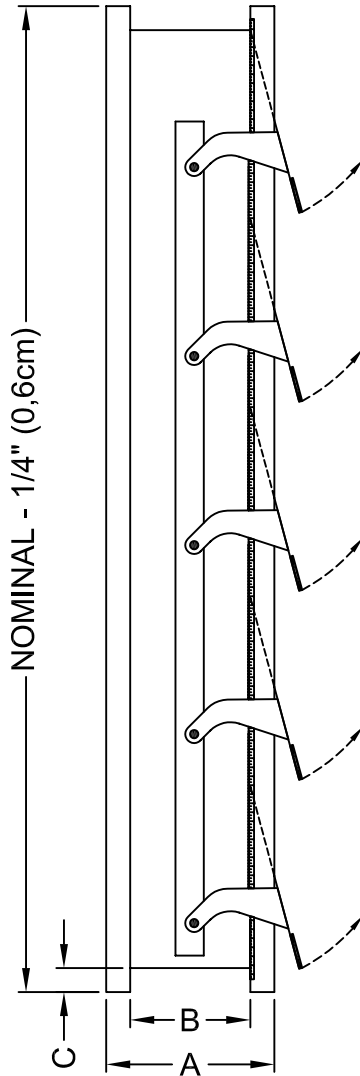


# BACK DRAFT DAMPER

# VAR-2



## SPECIFICATIONS

|                     |                        |                |
|---------------------|------------------------|----------------|
| MODEL               | VAR-2 (INSERT)         |                |
| STANDARD DIMENSIONS | 8" X 8" Min.           | 36" X 48" Max. |
| AIR FLOW            | HORIZONTAL OR VERTICAL |                |
| FRAME               | GALVANIZED STEEL       |                |
| BLADE               | ALUMINUM 0,025/0,032   |                |

## OPTIONS

|             |                              |                          |
|-------------|------------------------------|--------------------------|
| ACCESSORIES | STAINLESS STEEL              | <input type="checkbox"/> |
| PAINT       | ACRYTHANE SICO               | <input type="checkbox"/> |
| FRAME       | 16 GA (FOR HEIGHT. 6 TO 24") | <input type="checkbox"/> |
|             | 14 GA (MORE THAN 24")        | <input type="checkbox"/> |

| TYPE  | A               | B                | C              |
|-------|-----------------|------------------|----------------|
| VAR-2 | 3 1/2" (8,9 cm) | 2 1/2" (6,35 cm) | 1/2" (1,27 cm) |

**trolec**  
INC

4700, Rue Thibault  
 Ville de St-Hubert, Québec J3Y 0A8  
 Tel.: (450) 656-2610 Toll free : 1-888-656-2610  
 Fax : (514) 525-1912 Toll free : 1-888-305-1912  
 E-mail : admin@trolec.com Web Site : trolec.com

|                |        |
|----------------|--------|
| SUBMITTED BY : | DATE : |
| APPROVED BY :  | No :   |

