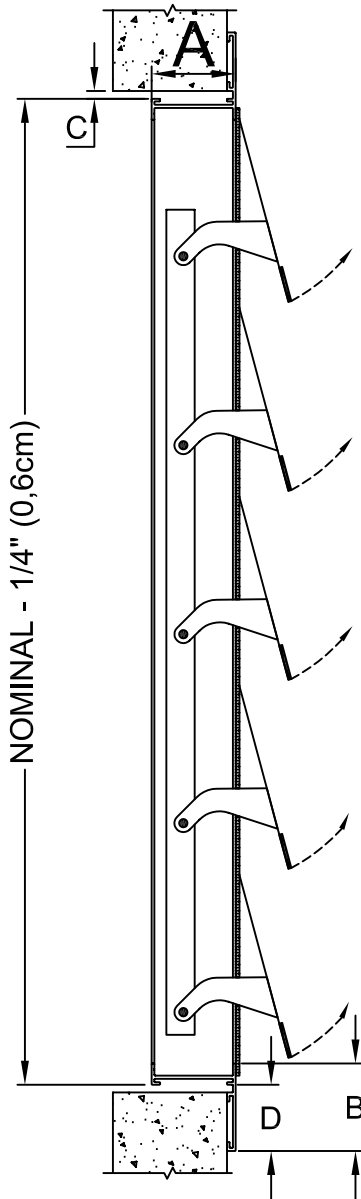


# BACK DRAFT DAMPER

# VAR-1



## SPECIFICATIONS

MODEL	VAR-1 (EXTERNAL WALL)	
STANDARD DIMENSIONS	8" X 8" Min.	36" X 48" Max.
AIR FLOW	HORIZONTAL OR VERTICAL	
FRAME	EXTRUDED ALUMINUM	
BLADE	ALUMINUM 0,025/0,032	

## OPTIONS

ACCESSORIES	STAINLESS STEEL	<input type="checkbox"/>
PAINT	ACRYTHANE SICO	<input type="checkbox"/>
FRAME	STAINLESS STEEL	<input type="checkbox"/>
	GALVANIZED STEEL	<input type="checkbox"/>
BLADE	STAINLESS STEEL	<input type="checkbox"/>
	GALVANIZED STEEL	<input type="checkbox"/>
ACCESSORIES	STAINLESS STEEL	<input type="checkbox"/>

TYPE	FRAME	A	B	C	D
VAR-1	T	1 3/4" (44,45mm)	1 7/8" (48mm)	1/8" (3,175mm)	1 7/16" (36,5mm)

**trolec**  
INC

4700, Rue Thibault  
 Ville de St-Hubert, Québec J3Y 0A8  
 Tel.: (450) 656-2610      Toll free : 1-888-656-2610  
 Fax : (514) 525-1912      Toll free : 1-888-305-1912  
 E-mail : admin@trolec.com      Web Site : trolec.com

SUBMITTED BY :	DATE :
APPROVED BY :	No :

